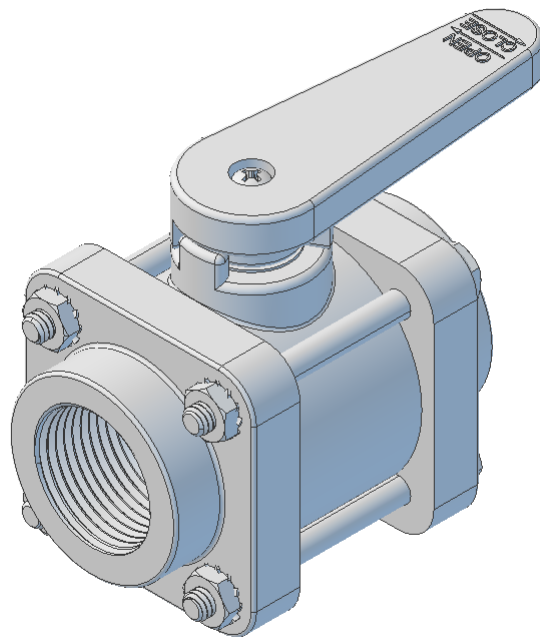


4011C-20 - 1" - STD PORT - BOLTED BALL VALVE



MATERIAL - POLYPRO  
POLYTEF  
VITON  
CAD HARDWARE